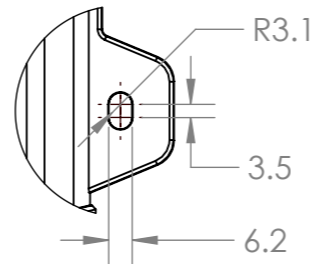
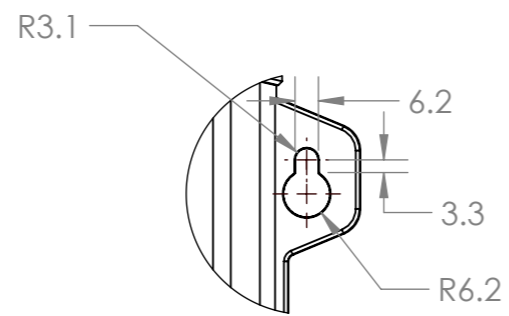
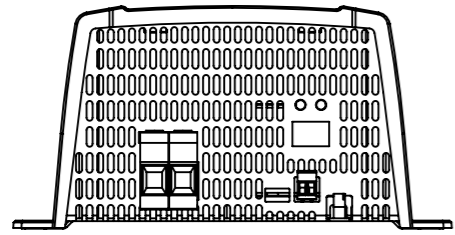
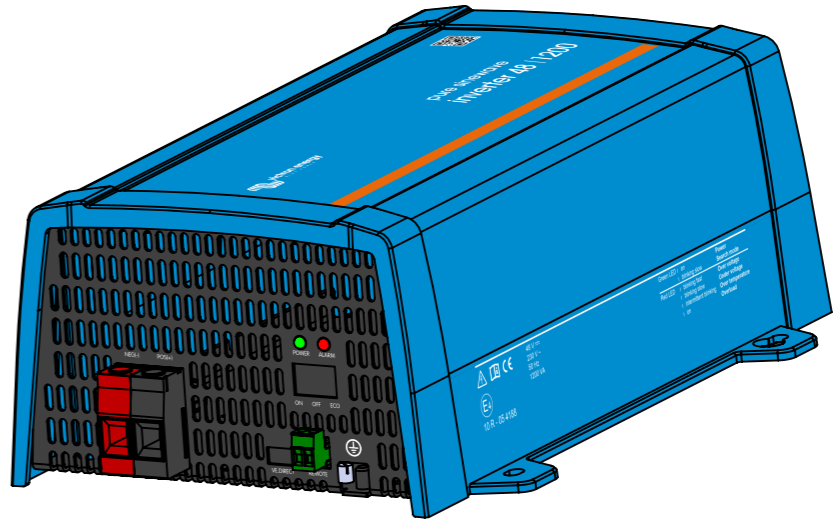
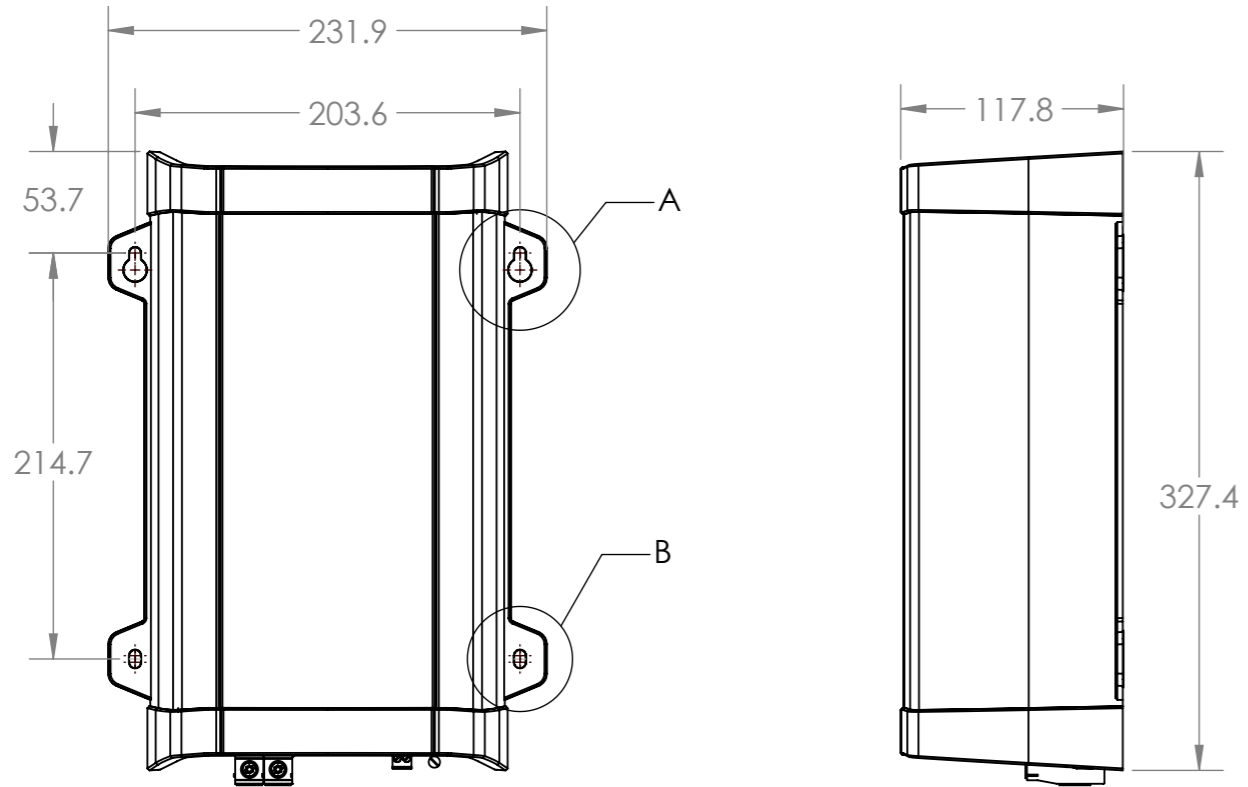


Dimension Drawing - Inverter	
PIN242121100	Inverter 24/1200 230V VE.Direct IEC
PIN242121200	Inverter 24/1200 230V VE.Direct SCHUKO
PIN242121300	Inverter 24/1200 230V VE.Direct AU/NZ
PIN242121400	Inverter 24/1200 230V VE.Direct UK
PIN242120500	Inverter 24/1200 120V VE.Direct NEMA 5-15R
PIN242120510	Inverter 24/1200 120V VE.Direct NEMA GFCI
PIN482121100	Inverter 48/1200 230V VE.Direct IEC
PIN482121200	Inverter 48/1200 230V VE.Direct SCHUKO
PIN482121400	Inverter 48/1200 230V VE.Direct UK
PIN482120500	Inverter 48/1200 120V VE.Direct NEMA 5-15R
PIN482120510	Inverter 48/1200 120V VE.Direct NEMA GFCI



Dimensions in mm

victron energy
BLUE POWER